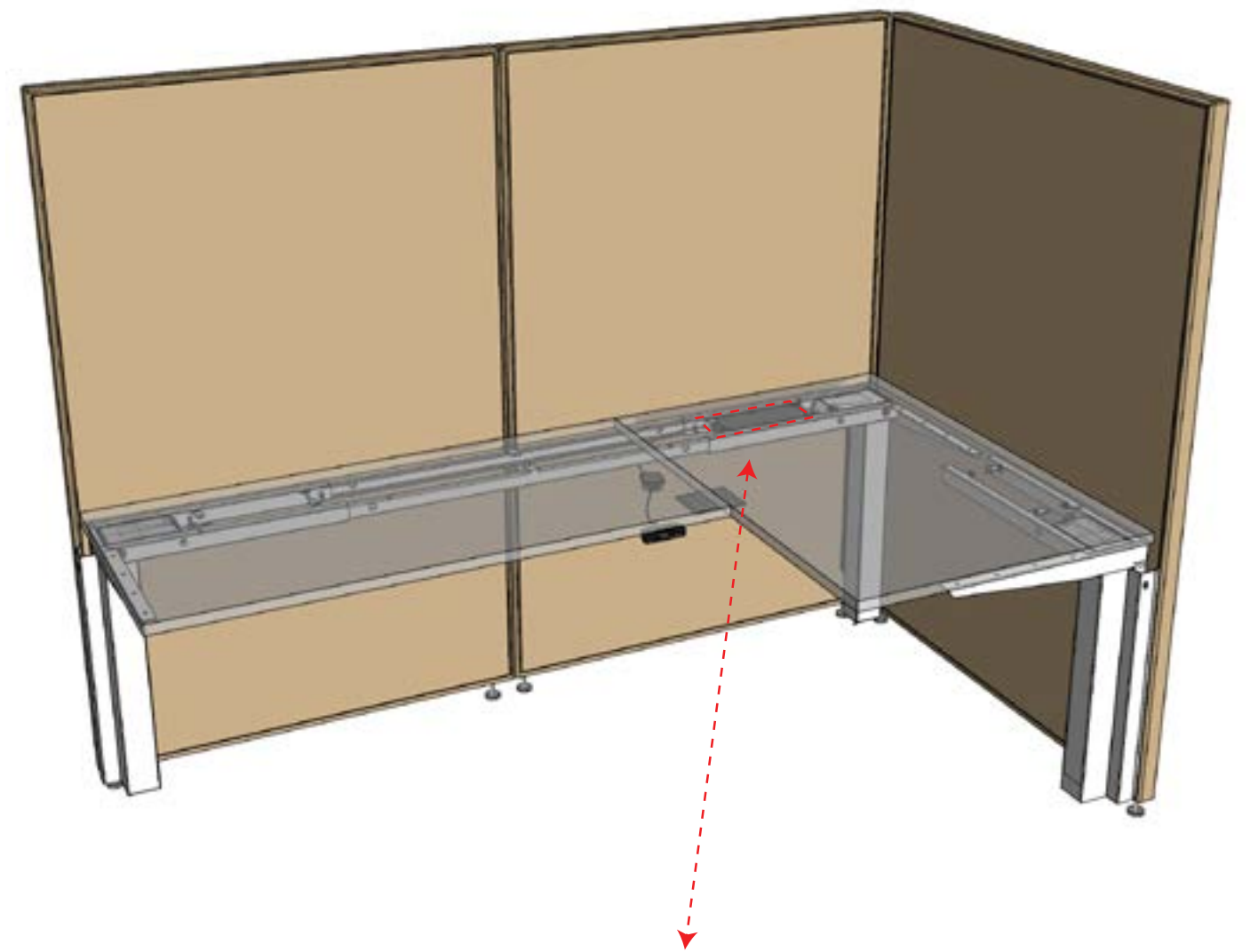


STANDING inOVATION

3 Leg Installation Manual

Patent number: 9,420,878 B2
9,723,918 B2

*** ATTENTION ***



When assembling the system, ESPECIALLY THE STEPS WHILE ADDING THE CANTILEVER, ensure the control box is located by the middle of the 3 legs.



CAUTION
Moving Parts Hazard

Moving parts can pinch. Keep hands, electrical cords, and other objects away from pinch points along the unit's up and down path.



CAUTION
Do Not Sit or Stand on Unit

Sitting or standing on top of the unit may result in injury or damage to equipment. Do not sit or stand on top the unit.



CAUTION
Use Proper Lifting Guidelines

Some components may be heavy. Always use proper lifting practices when handling the unit's components. Seek assistance if items are too heavy to handle safely.



WARNING
Electricity Hazard

Exposure of electrical components to liquids may result in severe injury or death. Never expose electrical components to liquid. Never immerse the unit in liquid.



WARNING
Do Not Modify Components

Disassembly or modification of the unit's individual components may result in damage to the unit or serious injury to the user.



WARNING
Electricity Hazard

Always disconnect power before installing, uninstalling, or servicing. Never power the unit on when it is not completely installed. Failure to follow these instructions may result in severe injury or death.

Unit Specifications:

Maximum Load: 260lbs (118kg)

Maximum Recommended Width Between Legs: 6'0" (1.83m)

Exceeding maximum load or width may affect unit's stability

Maximum speed at full load - 1.1"/s (28mm/s)

Stroke - 19.5" (50cm)

Unit Weight Without Top: ~63lbs (28.5kg)

Individual Leg Weight: 30lbs (13.6kg)

Standby Power: ≤0.06W

Output : 32V - 6A

Duty cycle : 10% max. 2 min ON/18 min OFF

In the Box

Your Standing inOvation unit contains multiple components. After opening the Standing inOvation box, ensure you have received the following:

3 x Actuator	3 x Metal Sleeve	3 x Cantilever	Power Cable + Cable Management Chain
Control Box	2 x Actuator Extension Cable	Control Handset + 2 x Screws	Collision Sensor + 2 x Screws
12 x 10mm Bolts	24 X BLACK PAN WOOD SCREWS	2 X PHILLIPS MACHINE SCREWS	5MM ALLEN WRENCH

What You Will Need:

You will need the following tools to complete installation:

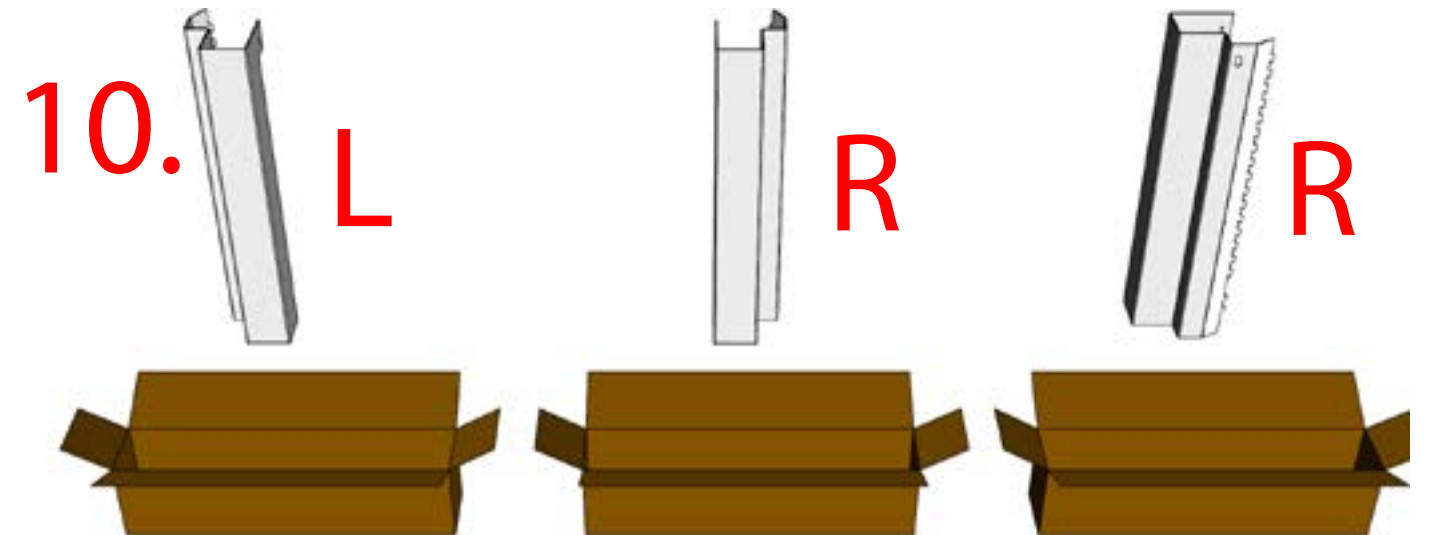
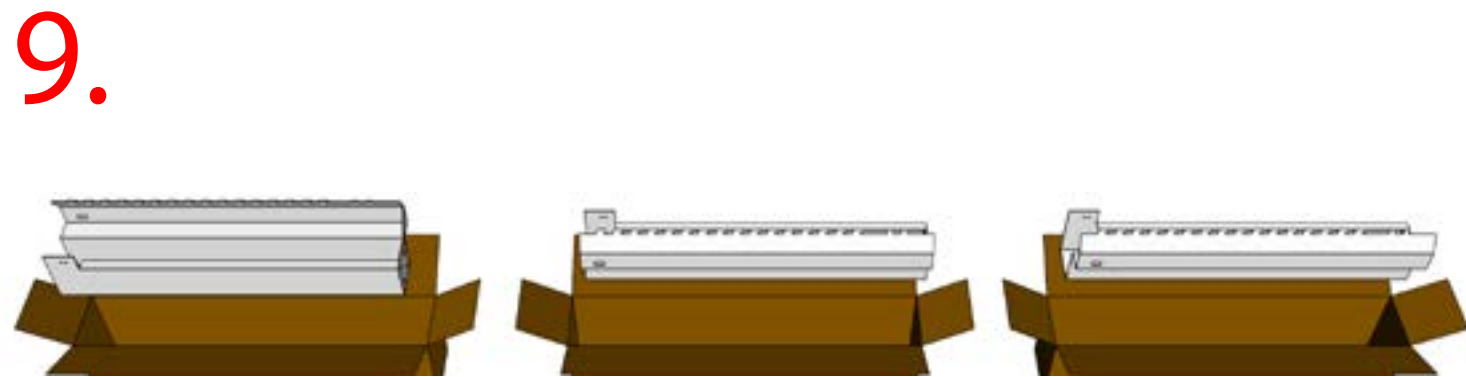
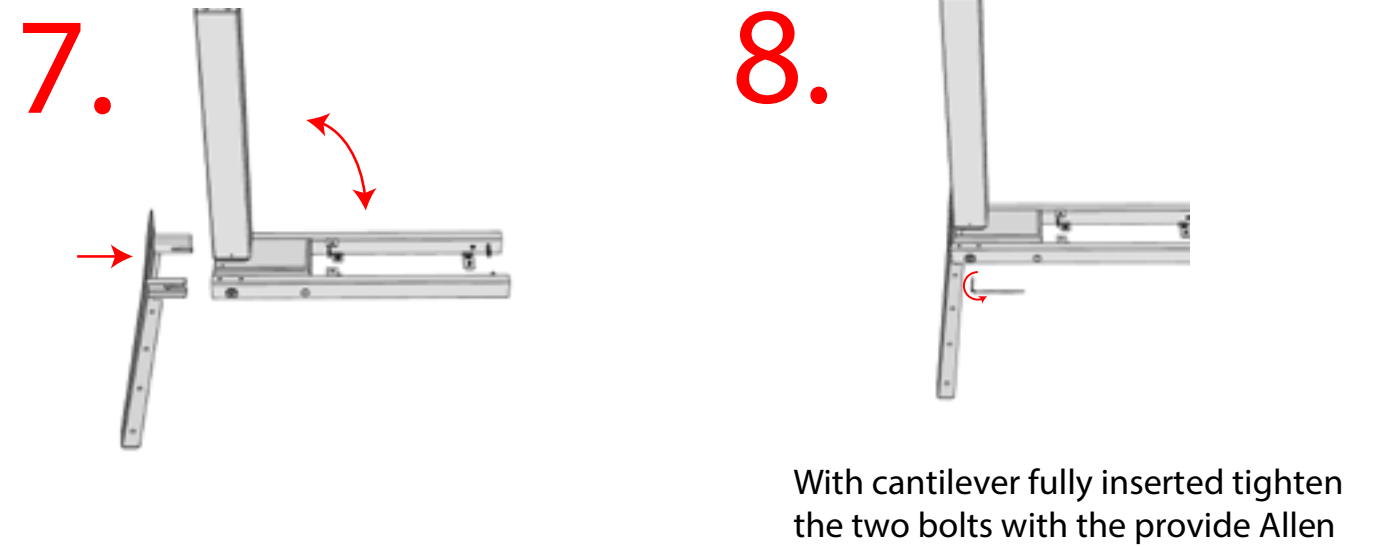
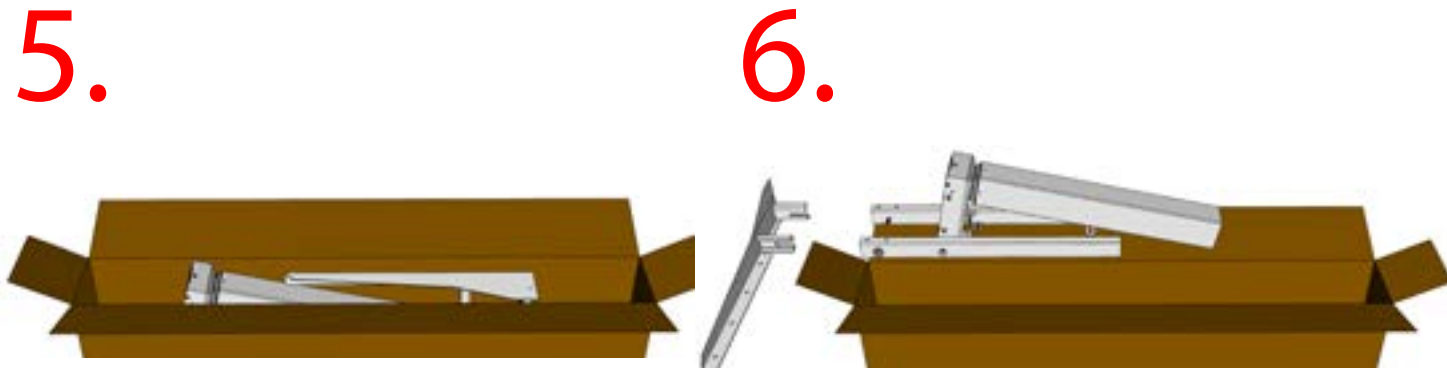
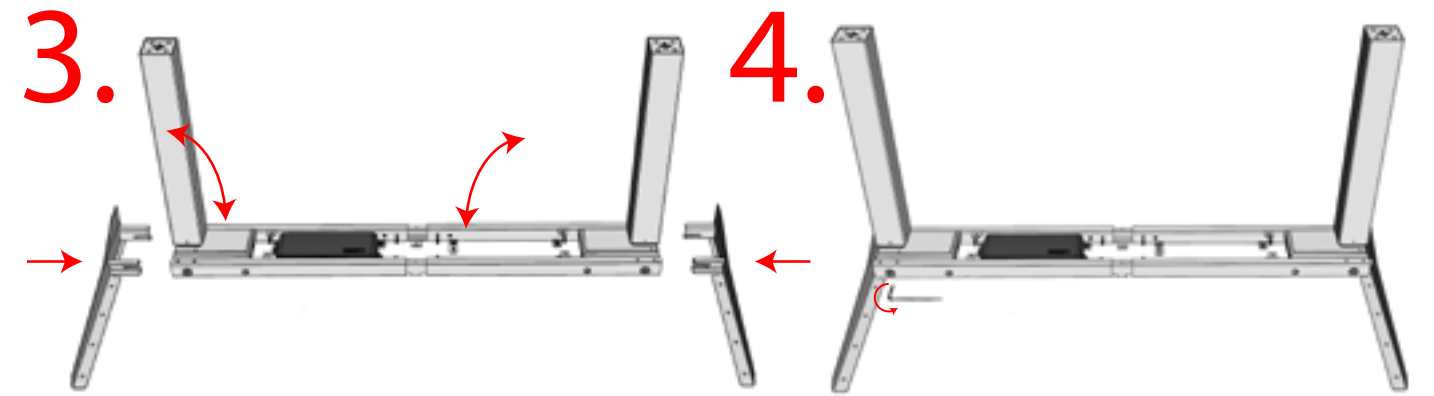
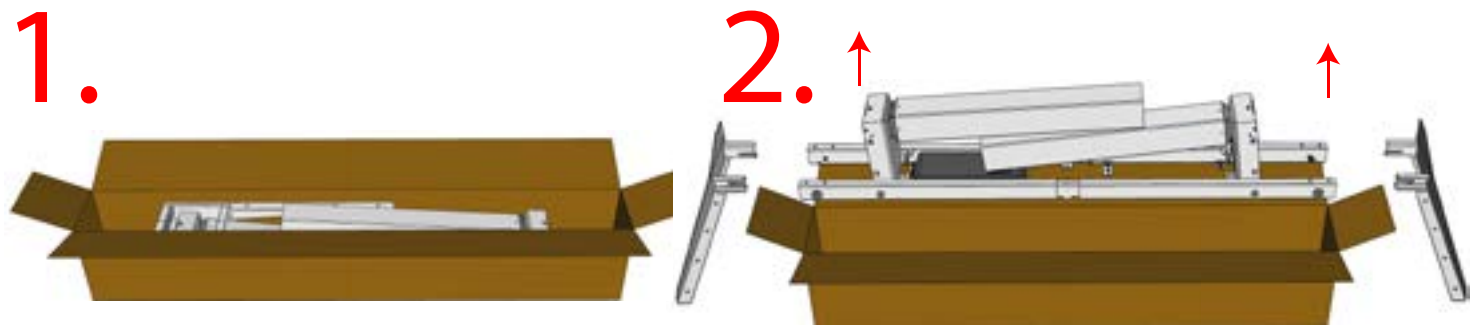
Level tool

11/16"/17mm socket

6mm & 4mm Allen wrench

Powered screwdriver with Phillips #2 head

Phillips #2 screwdriver



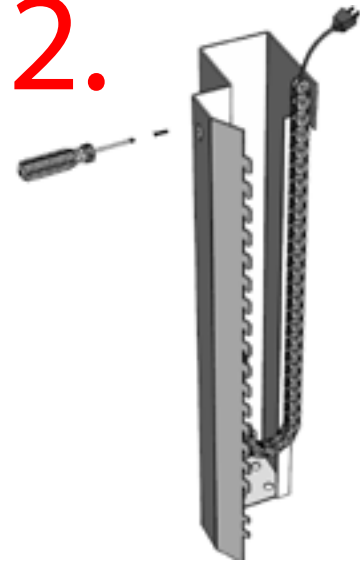
NOTE: Sleeves may come in a single box.

11.



Locate power management and power Cord from box 1. Feed power cord through power management as shown.

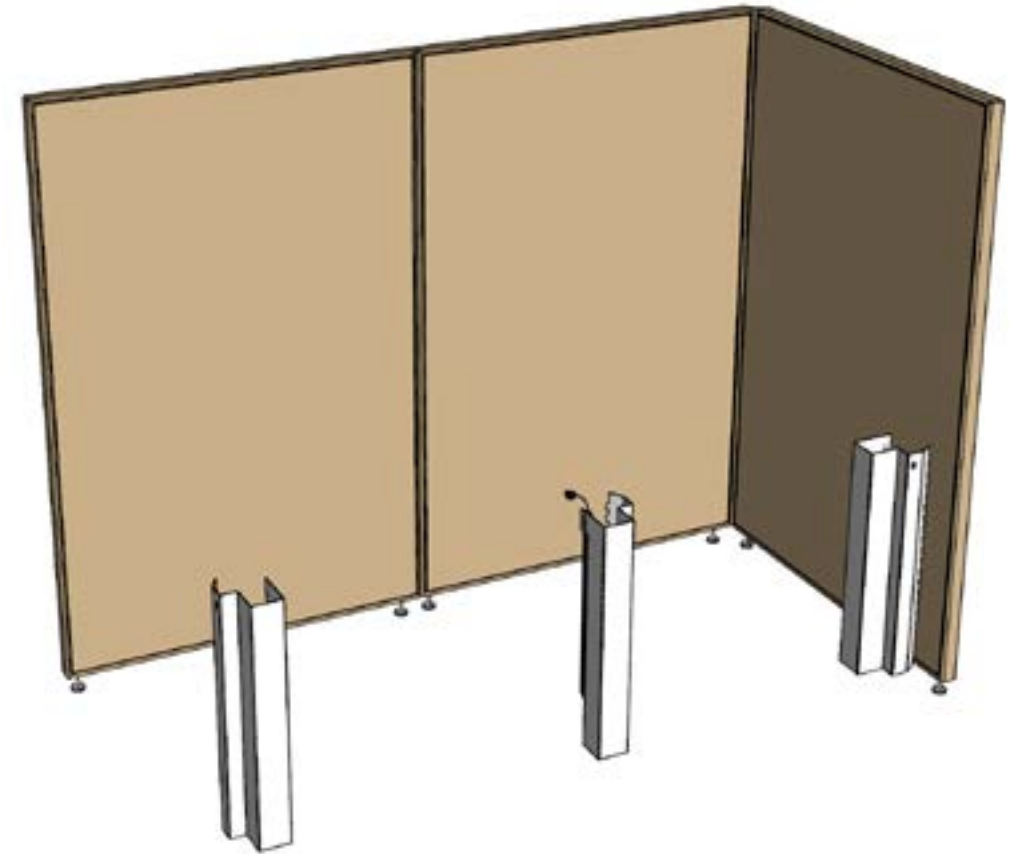
12.



Identify the middle/ coner sleeve. In this example it is a right sleeve. Screw the cable management with power cord to sleeve as shown.

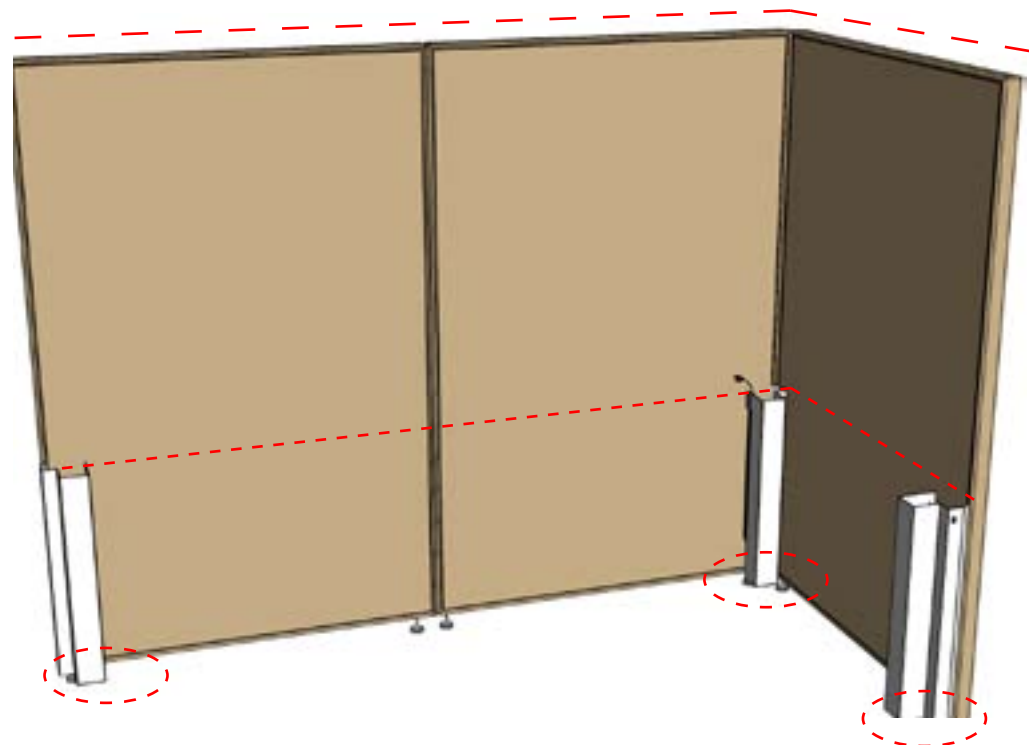
NOTE: Fix the side that has the plug.

13.

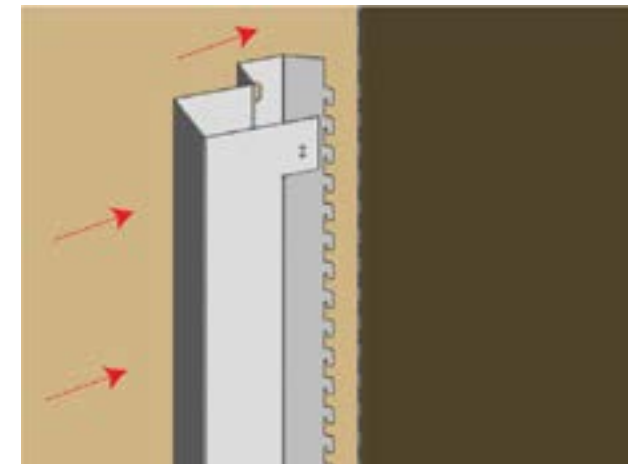


Hang sleeves on cubical at desired height. All three sleeves should be at exactly the same height.

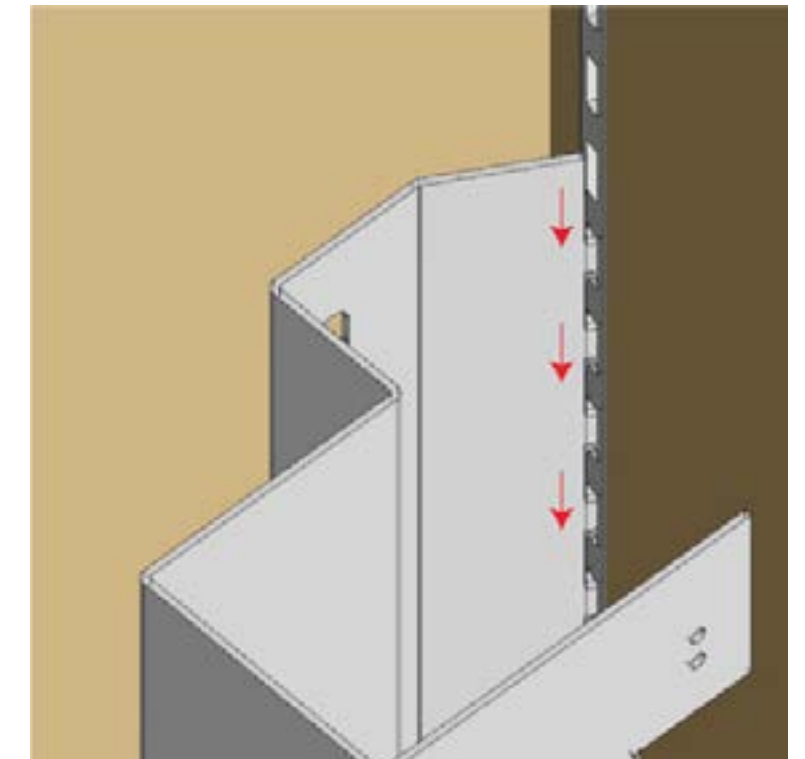
14.



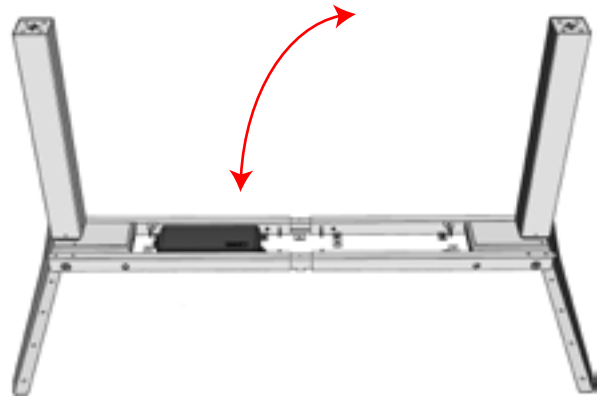
Confirm all sleeves are mounted at the same height. Be sure the bottoms of the sleeves are not touching the ground. Level cubical if needed.



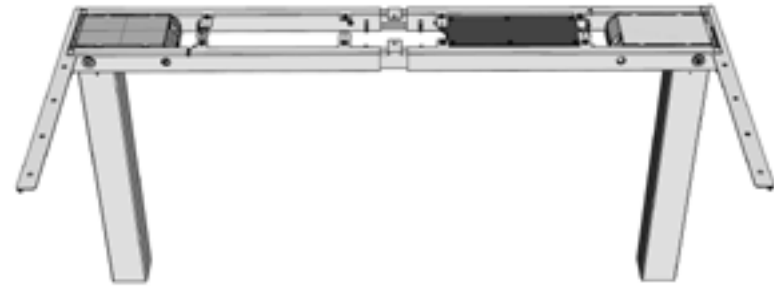
Once sleeves are hooked in to cubical, pull at top and bottom to ensure the sleeve is connected.



15.

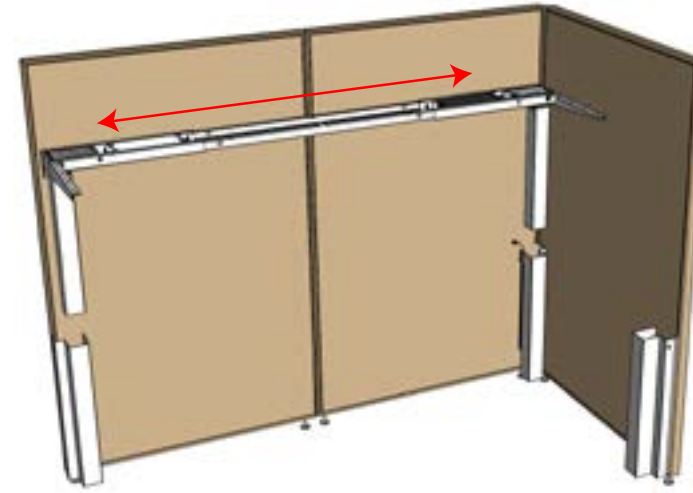


16.



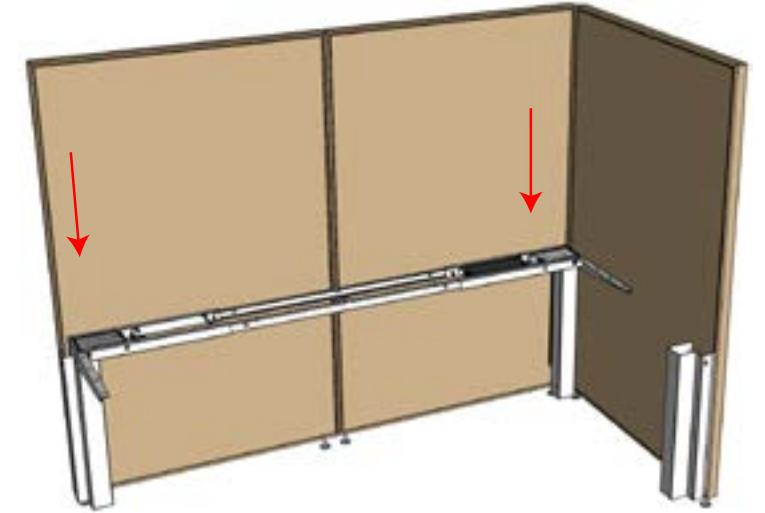
With two people, lift and flip over the 2 actuator system. →

17.



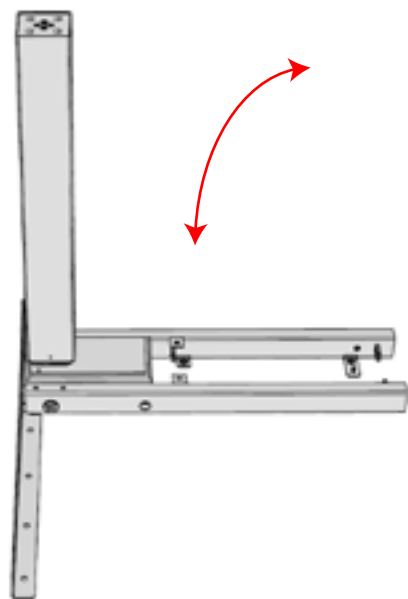
With 2 people, adjust system to desired length.

18.



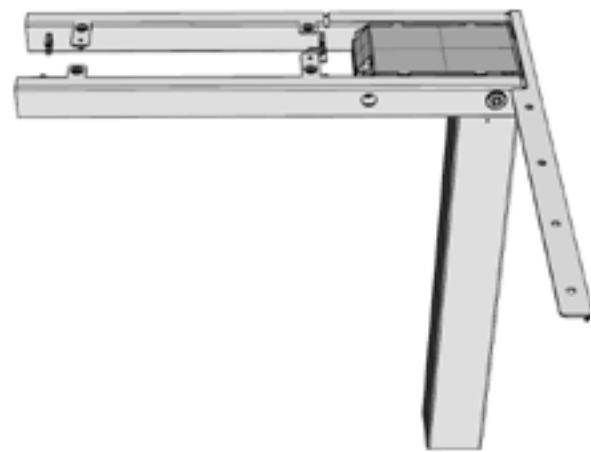
With 2 people, lift and lower actuators sleeves.

19.

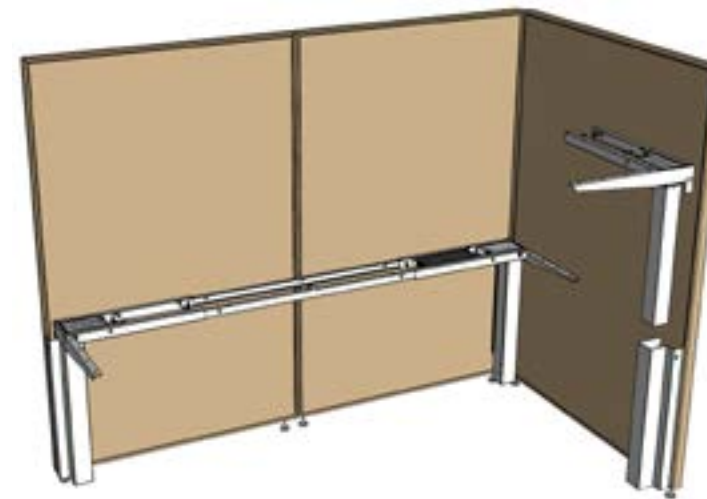


Flip the 3rd leg over →

20.

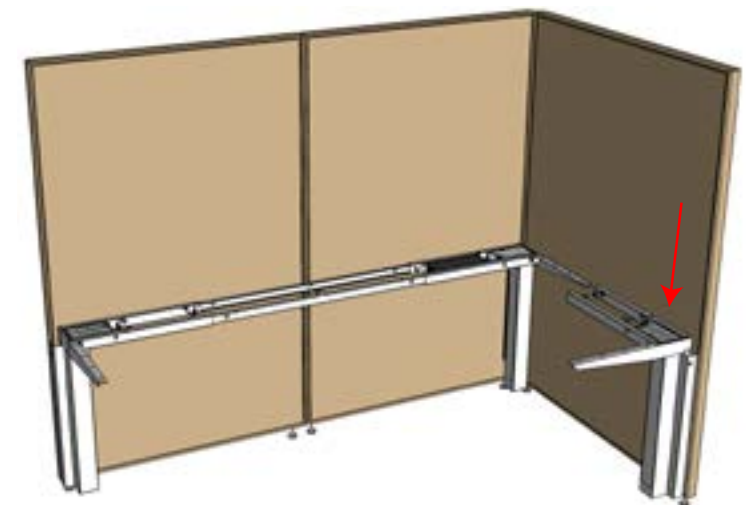


21.



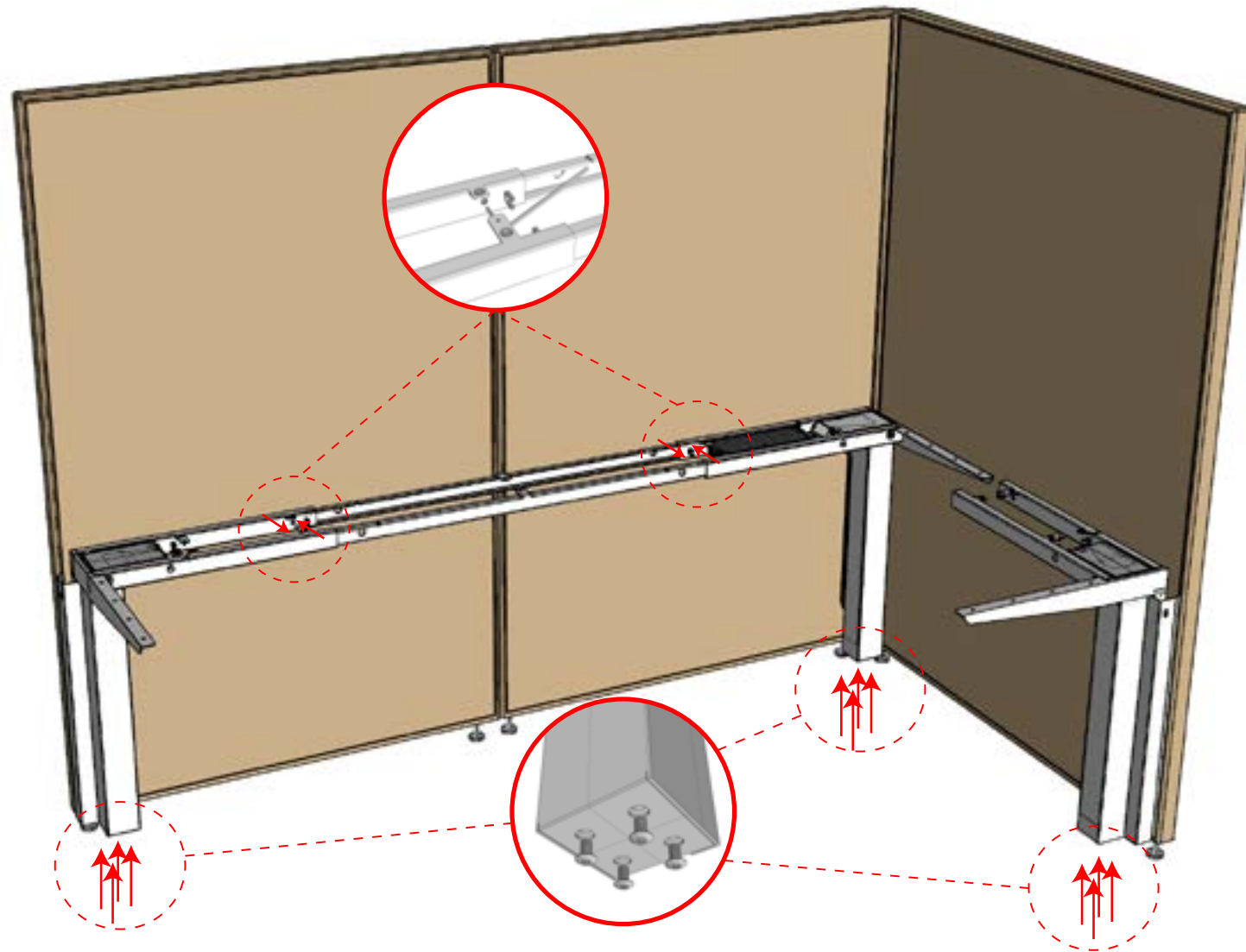
Lift and lower remaining 3rd leg into sleeve

22.



23.

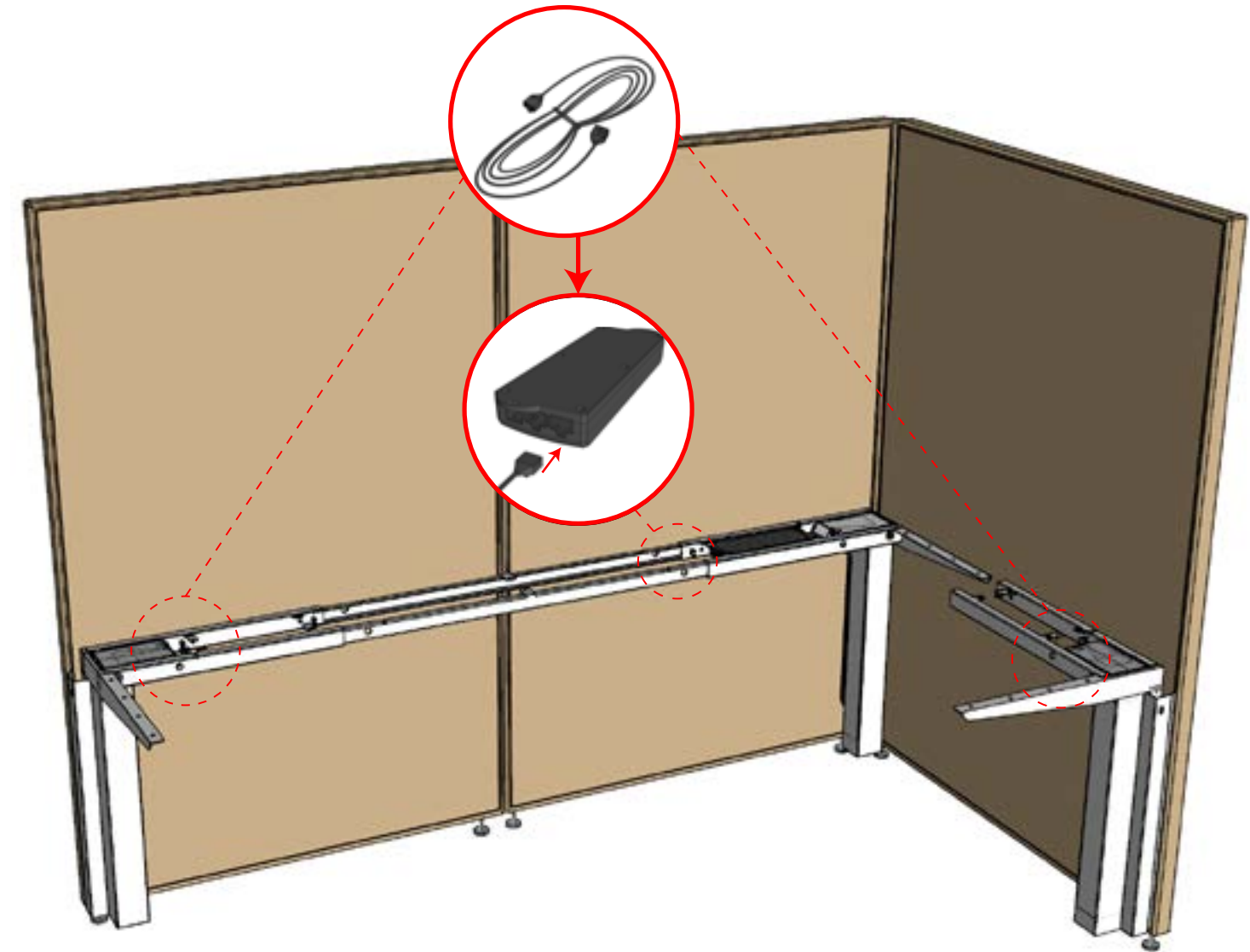
Secure desired length, tighten bolts in frame with provided Allen wrench



Secure actuators to sleeves with M10 bolts.
Use 4 in the bottom of each sleeve. Tighten with provide Allen wrench.

24.

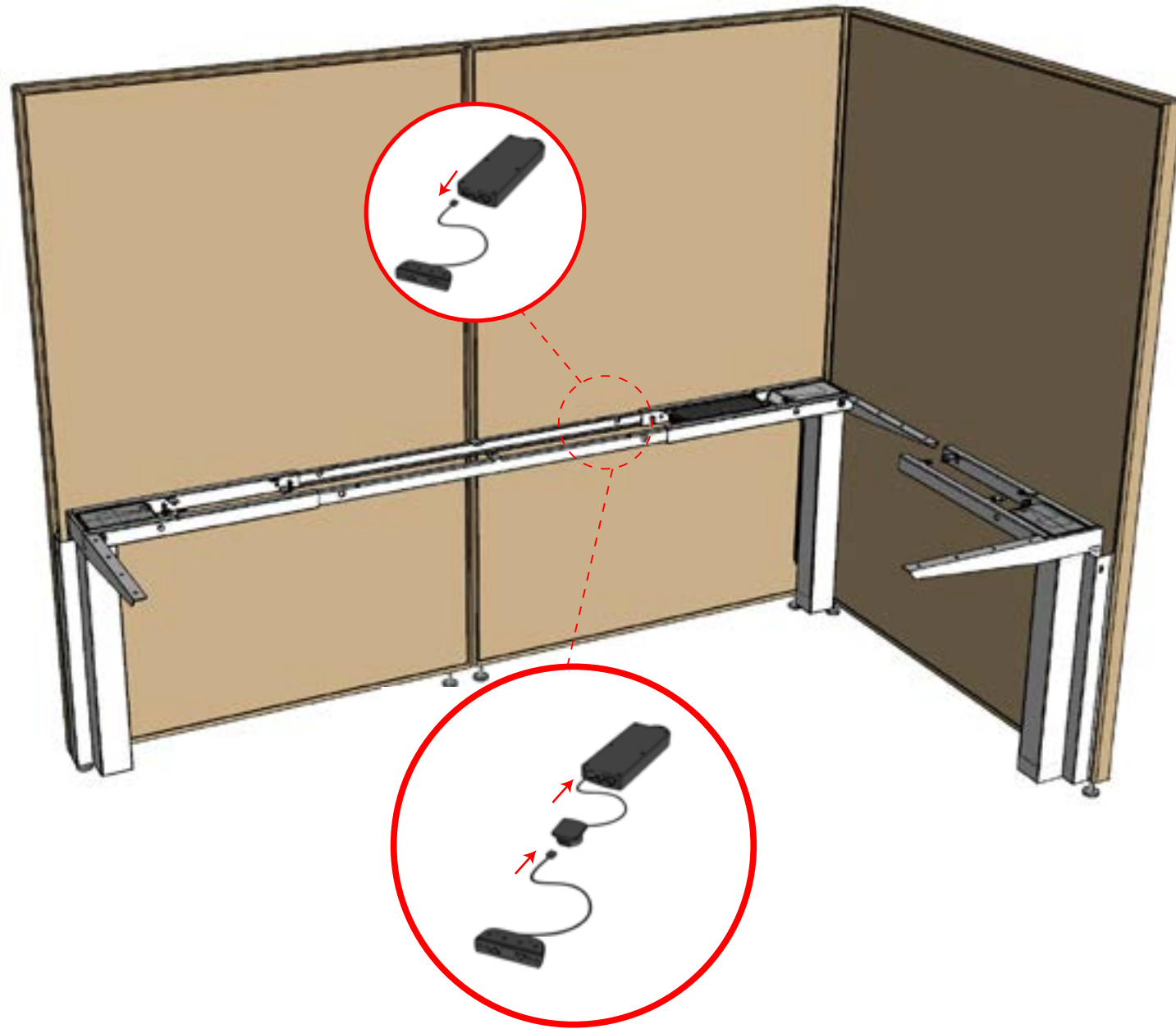
Attach all actuators to the control box. If needed use extension cable to connect actuators to control box. Extensions work with either actuator/port.



Secure the other end of the cable management to the cantilever.
Plug the power cord into the control box. Do not plug into outlet at this stage.

25.

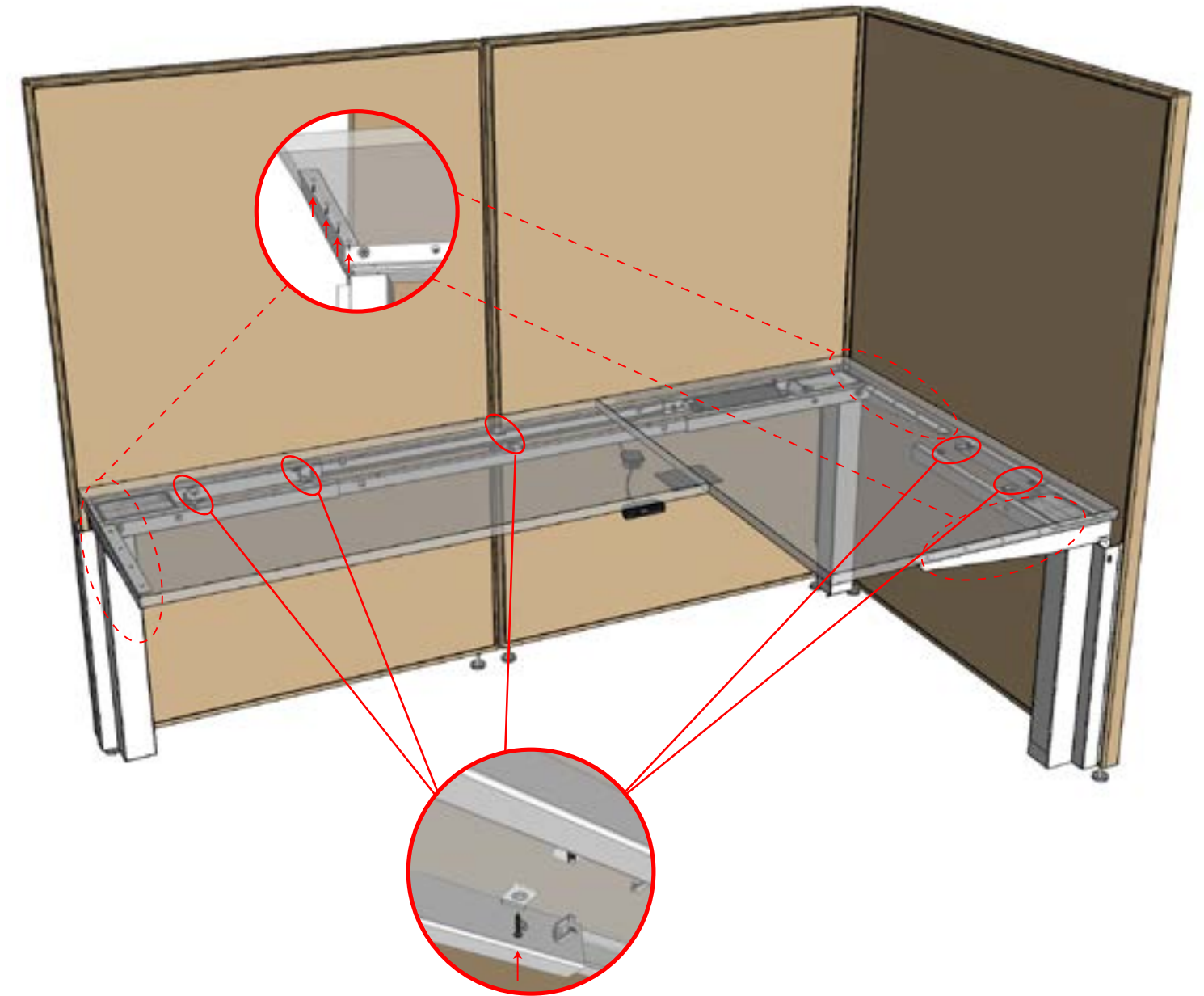
Remove handset from control box.



Plug the collision sensor into control box.
Plug handset into collision sensor.

26.

Place surface on frame, make sure the surface is square to the cubical.

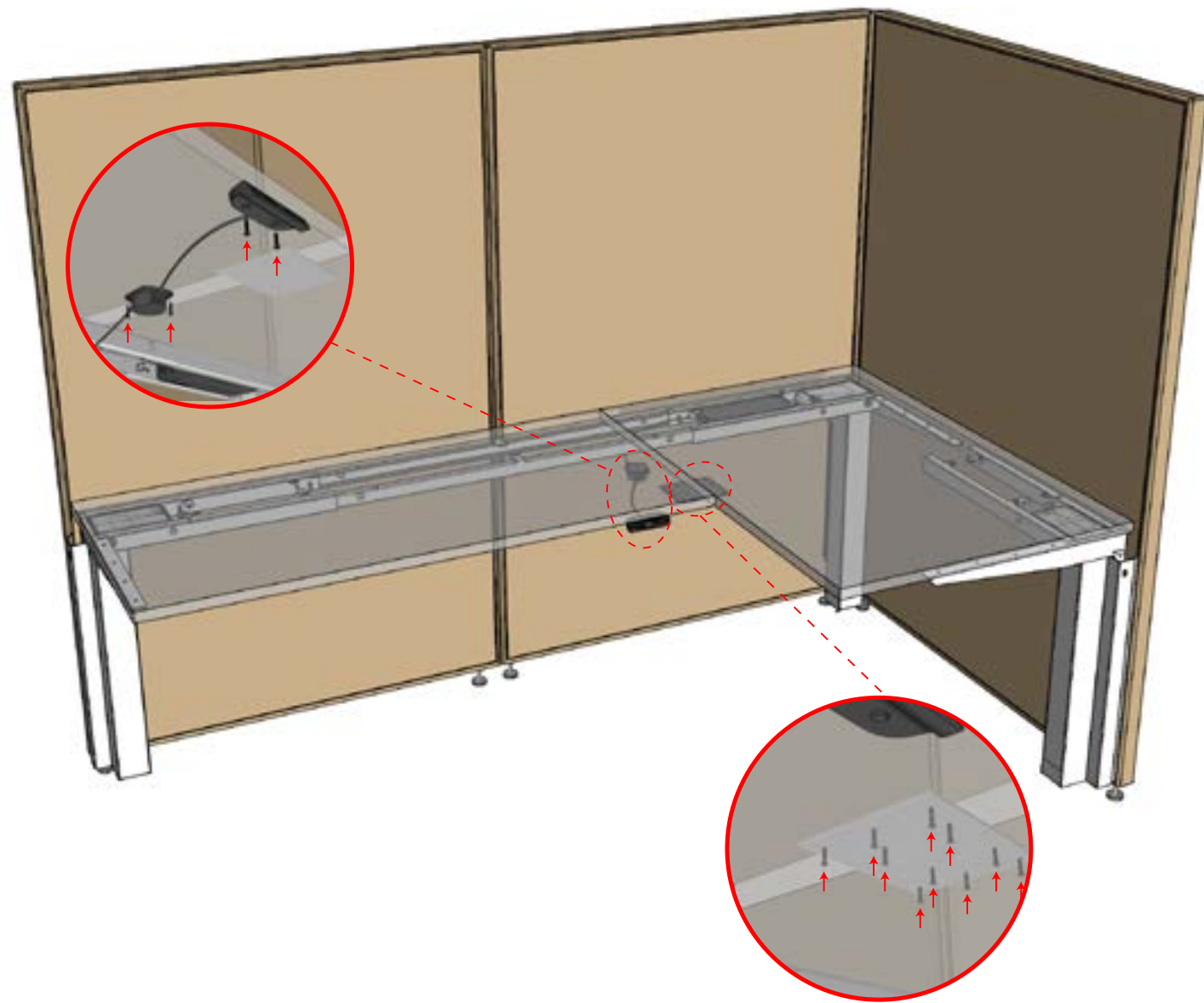


Pre-drill holes for wood screws in the cantilever and frame. Use 4 screws in each cantilever
and as many as possible in frame.

27.

Pre-drill holes.

Screw collision sensor in middle of desk and screw and set to desired location.

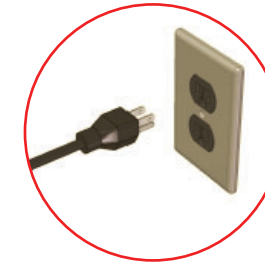


Pre-drill holes.

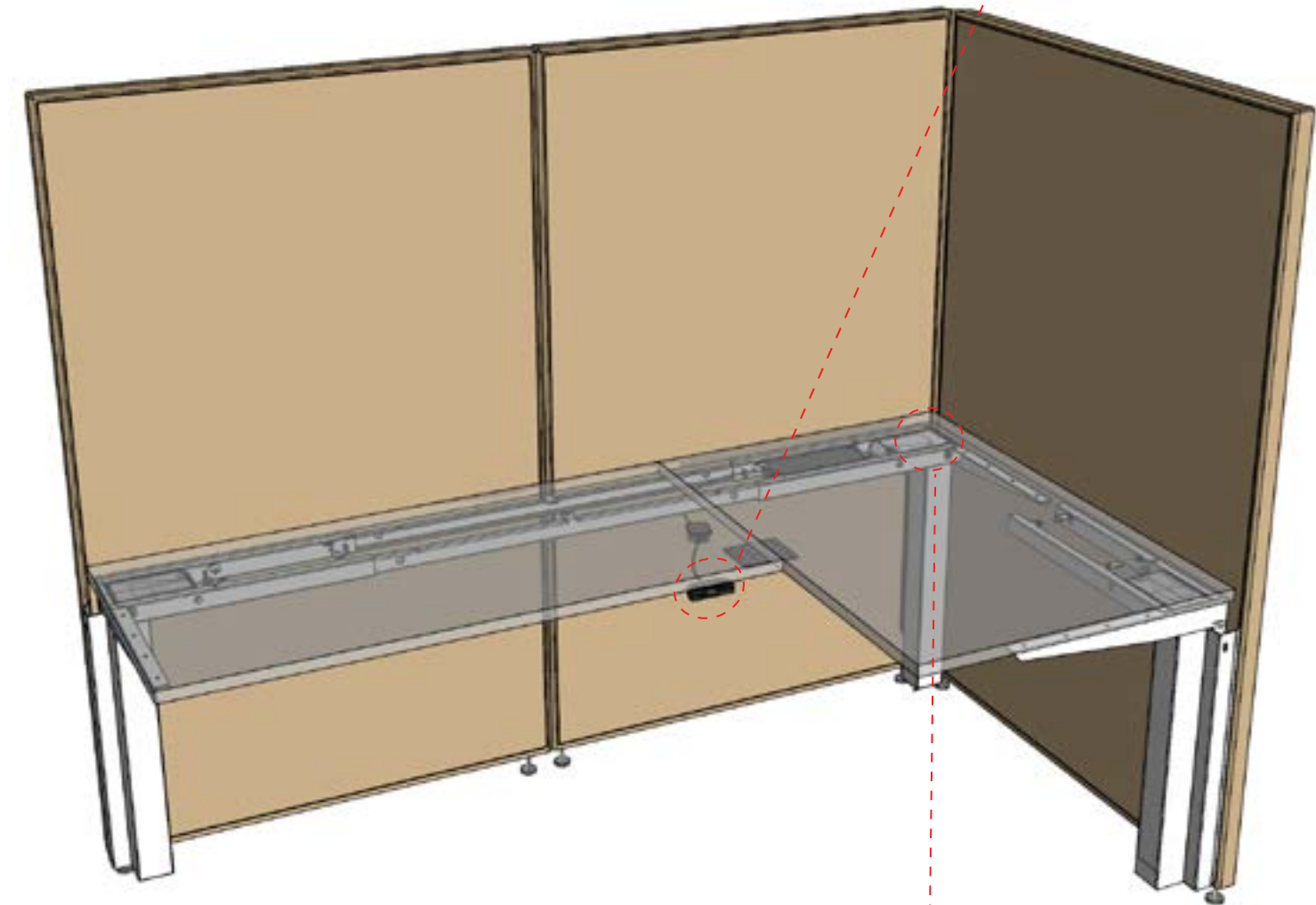
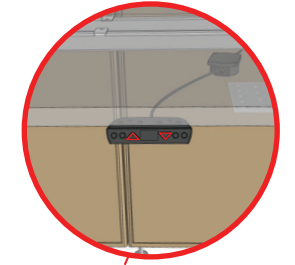
Screw metal plate over front of unsupported desk seem.

28.

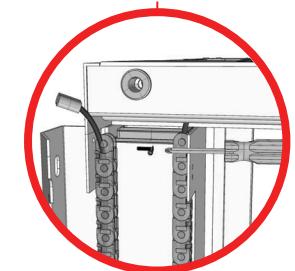
Plug system into outlet.



Press and hold both up and down buttons for 5 seconds to start system.

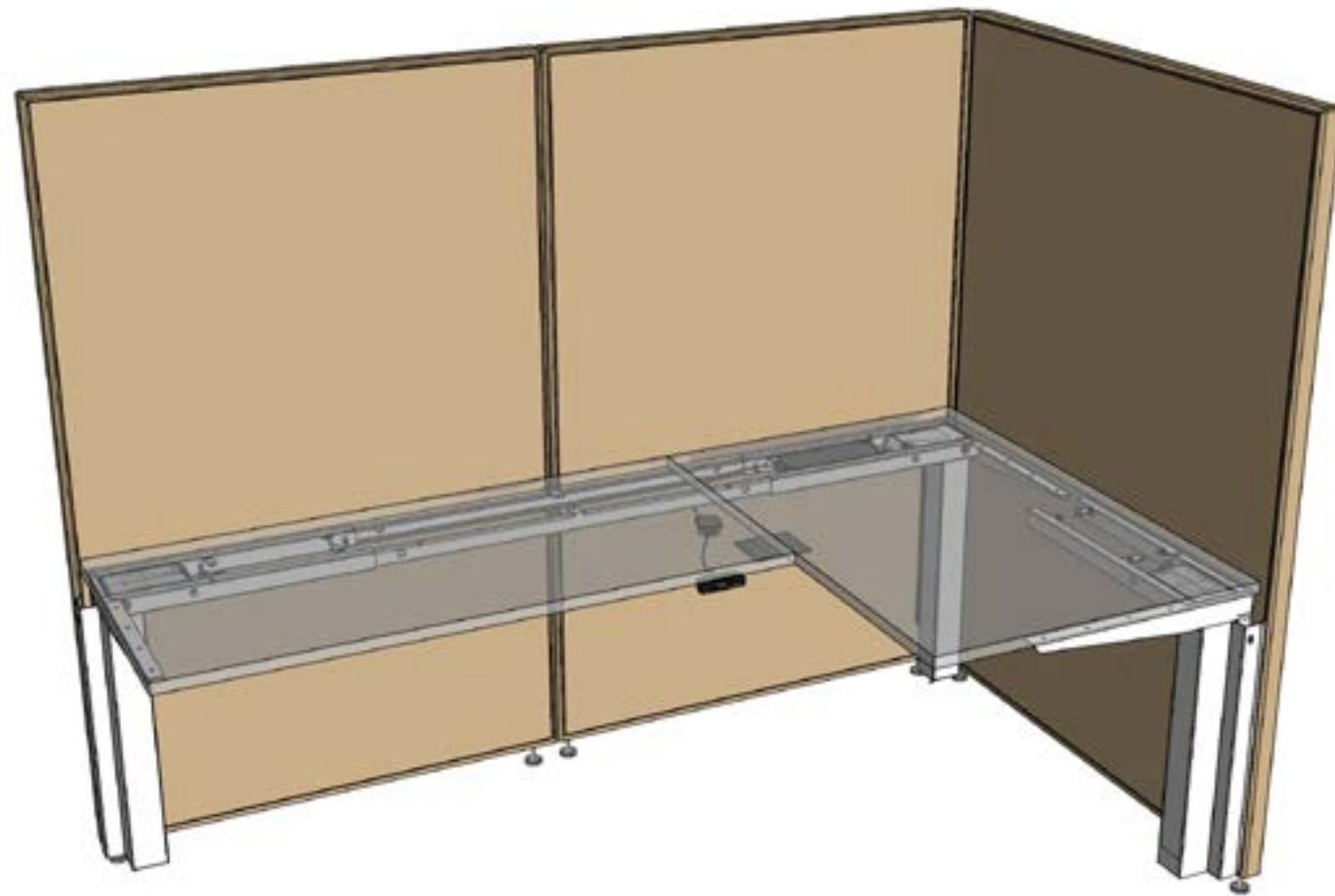


Raise desk , attach top end of cable management to cantilever .





Enjoy your new sit-stand desk!

For more information, including a user manual for how to use your sit-stand desk, please visit www.standinginovation.com



USER GUIDE



After installation of your Standing inOvation desk, ensure the power cable is plugged into the outlet to power the desk.

The first step is to perform a reset in order to calibrate the desk. To do this simply hold down both the  and  buttons on the control for 3 seconds. Continue pressing the buttons until both columns are fully retracted. When finished resetting, the control box makes a beep and the buttons can be released.







When resetting, the display shows "000". When finished resetting, the display shows the starting height.



Normal operation



- The control unit has a digital display showing current desk height in inches.
- Press  and  buttons to adjust the desk height.
- When no button has been pressed for 30 seconds, the system goes to <math><0.1\text{ W}</math> standby mode and the display goes off. Press any button to bring the system out of standby mode. The display will show desk height again.

Starting height

- The default starting height is 27.5 in.
- To adjust the starting height, press  button to go to the lowest position of the desk. At the lowest position, press  button again for 5 seconds, the display flashes "888" or starting height for 10 seconds.
- During the 10 seconds, press  or  buttons to adjust the starting height in centimeters, and then press  and  buttons together for 3 seconds to store the preferred starting height. Display stops flashing and the preferred starting height is shown on display and has been stored.

Memory positions

The control unit supports 4 memory positions.

- Operate the desk to preferred height.
- Press any of **①②③④** together with  or  for 2 seconds to store the current height. Display shows P1/P2/P3/P4 when the position has been stored.
- When there is a position stored, press and hold **①②③④** to drive the desk to the stored position.
- Stored positions can only be overwritten, not removed.

